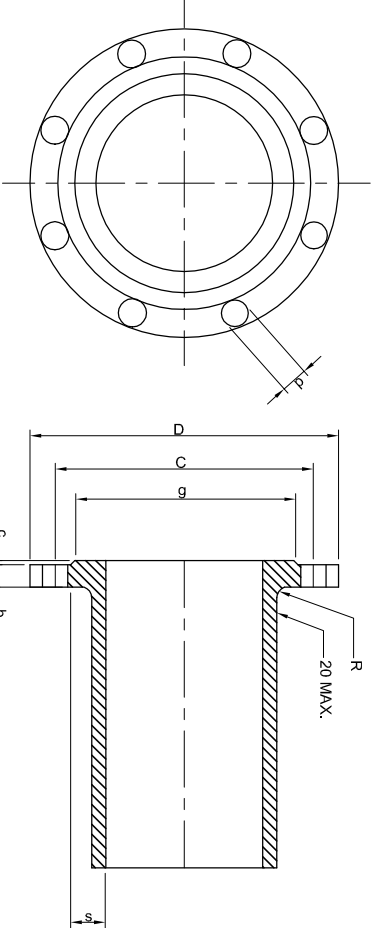


PUSH IN JOINT

TABLE FOR PUSH-IN JOINT

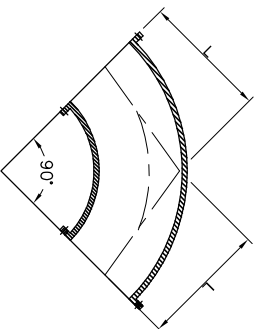
NOMINAL DIAMETER ND (mm)	NOMINAL OUTER DIAMETER DE (mm)	D (mm)	P (mm)	T(kg) (mm)	t (mm)	L (mm)
100	118	160	85	6.0	4.0	6000
150	170	215	90	6.0	4.0	6000
200	222	275	100	6.3	4.0	6000
250	274	325	105	6.8	4.0	6000
300	326	380	110	7.2	4.0	6000
350	378	445	110	7.7	5.0	6000
400	429	495	115	8.1	5.0	6000
450	480	550	120	8.6	5.0	6000
500	532	600	120	9.0	5.0	6000
600	635	710	120	9.9	5.0	6000



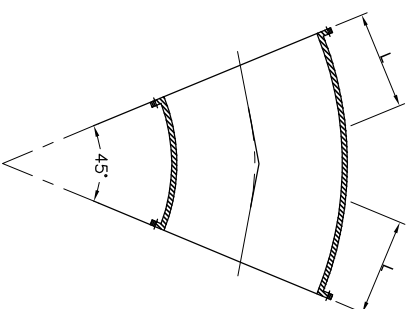
FLANGED

TABLE FOR FLANGE

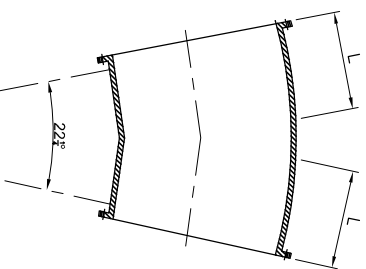
NOMINAL DIAMETER ND (mm)	D	C	g	a	b	c	BOLT		MASS		S	R
							SIZE	No.	d	(kg)		
100	220	180	156	19.0	16.0	3	M16	8	19	3	3	3
150	285	240	211	19.0	16.0	3	M20	8	23	3	3	3
200	340	295	266	20.0	17.0	3	M20	12	23	3	3	3
250	400	355	319	22.0	19.0	3	M24	12	28	3	3	3
300	455	410	370	24.5	20.5	4	M24	12	28	4	4	4
350	520	470	429	26.5	22.5	4	M24	16	28	4	4	4
400	580	525	480	28.0	24.0	4	M27	16	31	4	4	4
450	640	585	548	30.0	26.0	4	M27	20	31	4	4	4
500	715	650	609	31.5	27.5	4	M30	20	34	4	4	4
600	840	770	720	36.0	31.0	5	M33	20	37	5	5	5



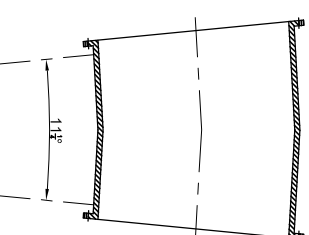
DOUBLE FLANGED 90° BEND



DOUBLE FLANGED 45° BEND



DOUBLE FLANGED 22.5° BEND



DOUBLE FLANGED 11.25° BEND

TABLE FOR DOUBLE FLANGE BEND

NOMINAL DIAMETER ND (mm)	OUTER DIAMETER OD (mm)	PLATE THK. t (mm)	L (mm)			
			90°	45°	22.5°	11.25°
100	118	7.2	180	140	140	140
150	170	7.8	220	160	160	160
200	222	8.4	260	180	180	180
250	274	9.0	350	350	350	350
300	326	9.6	400	400	400	400
350	378	10.2	450	298	298	298
400	429	10.8	500	324	324	324
450	480	11.4	550	350	350	350

- NOTES:-
1. ALL DIMENSIONS ARE IN MILLIMETRE UNLESS OTHERWISE STATED.
 2. DESIGN STANDARD COMPLY WITH BS EN 545 : 2002.

SURUHANJAYA PERKHIDMATAN AIR NEGARA
 Area Bawah & Atas Satu
 Prima Avenue, Blok 3510
 6300 Cyberjaya
 Selangor Darul Ehsan, Malaysia



PREPARED BY :

MINCONSULT SDN. BHD.
 No. 6 JALAN S17/223,
 SELANGOR DARUL EHSAN, MALAYSIA.
 m i n c o s b h d
 TEL. 03-7957575 / 79547573
 FAX 03-79547575 / 79547573

DRAWING TITLE :

DETAILS OF DUCTILE IRON GUSSETTED
 BENDS, PUSH-IN JOINT AND FLANGE

DRAWING NO.:

SPANWWS/STDJF/016